

Accotstick 84
Single-component apron adhesive

Accotex

Accostick 84 Apron Adhesive



Technical information

Information On Marks And Symbols

In the operating instructions, the following designations or marks and symbols are used for especially important information:

- The work and/or operating steps are marked with a listing arrow.
Execute the steps in the indicated order.
- The lists are marked with the dash.



Danger

This is a warning about situations entailing imminent danger, which inevitably result in extremely serious injuries or death, if the indicated instruction is not complied with exactly.



Warning

Draws attention to a possibly dangerous situation that could result in extremely serious injuries or death, if the indicated instruction is not complied with exactly.



Attention

This is a warning about situations entailing possible danger, which could result in medium or light injuries, if the indicated instruction is not complied with exactly.



Note

This is a warning about situations entailing possible danger, which could result in damage to property, if the indicated instruction is not complied with exactly.



Information

This is a note indicating useful information for safe and appropriate handling and use.

Legal notes / Copyright note / Adress

This manual must be handed out to persons using the described equipment. Wrong use of the equipment can only be avoided if the manual is always available!

Subject to alterations

Copyright 29.03.2022 by Rieter Components Germany GmbH

Accostick 84



Accostick 84 is a colourless, solvent-free, fast-hardening single component adhesive on the basis of cyanoacrylate. The stick has been developed particularly for the bonding of Accotex aprons and guarantees a highly strong bonding of the apron ends when applied properly.

Accostick 84 hardens within a short time without need to apply high pressure or heat, to become a transparent adhesive film. The bonding is temperature-resistant and to a great extent moisture and chemical resistant.

Instruction of Use

If the following instructions are observed, Accostick 84 will guarantee a fast, permanent, and resilient bonding of Accotex bottom aprons.

1. Insert Accotex bottom aprons in the machine with arrows pointing into the moving direction. Place the cut surfaces in the apron press precisely one on top of the other and clamp them to maintain them in their position (Fig. 1).

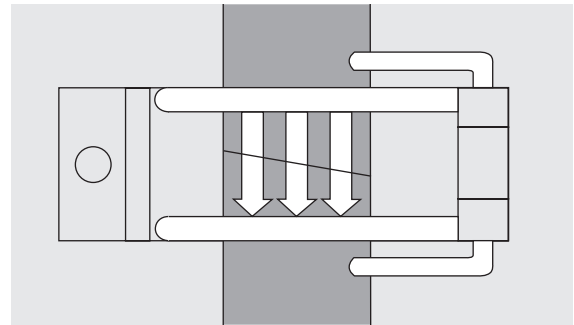


Fig. 1

2. Lift the overlapping cut surface by placing a thin object (small screw driver, paper clip, etc.) under the cut surface and lifting it (Fig. 2).

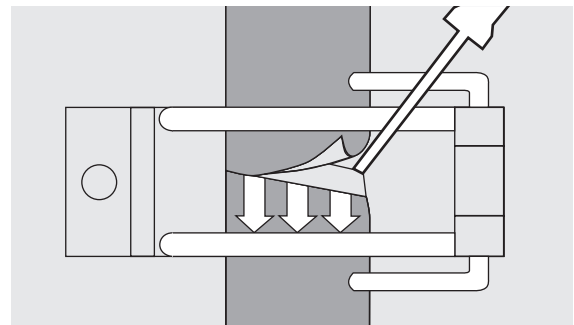


Fig. 2

3. Apply Accostick 84 in one go onto the cut surface pointing upwards and along its center line. Do not spread (Fig. 3).

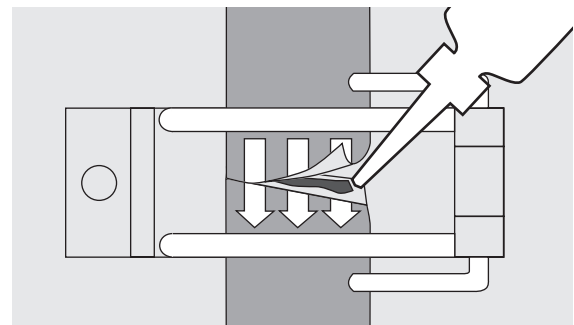


Fig. 3

4. Reset the apron in its overlapping position by lifting its cut surface (cf. fig.1) and close the press. The adhesive hardens immediately. The press may be reopened after 10 seconds, and excessive glue can be removed with a clean cloth, if necessary. The apron should not be torn off its base if it is bonded with the base by excessive glue. It should rather be lifted off its base by means of a thin spatula or a thin knife.

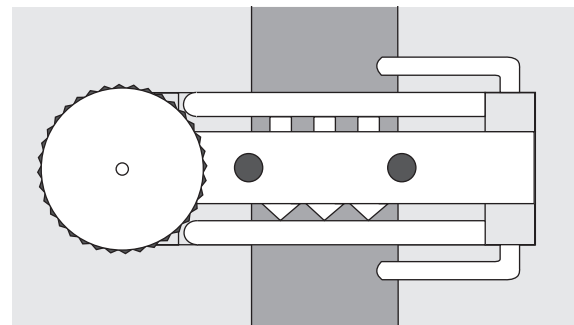


Fig. 4

The initial strength of the bonding is so high that the spindle can be put back to operation immediately. Due to the fast hardening of the adhesive it will be necessary to carry out all operations quickly and without delay after applying the adhesive. The procedure suggested by us has the advantage that the cut surfaces of the aprons will not be soiled by sweat from hands, grease, etc., thus contributing to a successful use of the Accotex apron adhesive Accostick 84.

Cleaning the working equipment

Excessive and unhardened Accostick 84 can be removed with a clean cloth. Adhesive which has not fully hardened yet can be rubbed off means of ethyl acetate or acetone. Fully hardened Accostick 84 can only be removed mechanically by grinding or emerying.



Storage

- Accostick 84 must be protected from moisture, heat and sunlight
- In order to prevent an increase of viscosity and opaqueness of the adhesive, Accostick 84 can be stored for one year
- It is absolutely necessary to thaw Accostick 84 and put it to room temperature before use
- Repeated freezing and thawing does not reduce the adhesive power
- The guaranteed period of storage at room temperature is 6 months.



Warning

Experience made with Accostick 84 over many years has revealed no damage to health. The smell typical of cyanoacrylate adhesives may cause irritation of the mucous membranes. It is therefore recommended to provide for adequate ventilation of the working rooms. Under unfavourable working conditions we recommend to set up a suction device at the place of work. In general, however, spinning rooms tend to be well ventilated.

Skin which has come into contact with Accostick 84 must be cleaned with soap water, hand washing paste and pumice stone and subsequently creamed with a good skin cream. If splashes of Accostick 84 get into your eye during application, the lachrymal liquid will harden those splashes immediately. This polymerization process releases heat which will slightly affect the eye's cornea causing a quick and stinging pain during the first few minutes. The eye must immediately be washed out using an eye-washing bottle. After that an ophthalmologist must be consulted by all means. According to the experience made so far the eye's cornea will regenerate itself within a few days and vision will not become disturbed.



Rieter Components Germany GmbH

Accotex
Branch Muenster
Gustav-Stresemann-Weg 1
48155 Muenster
Germany
T +49 251 60938 0
info@accotex.com

www.accotex.com

The data and illustrations in this brochure and on the corresponding data carrier refer to the date of printing. Accotex reserves the right to make any necessary changes at any time and without special notice. Accotex systems and Accotex innovations are protected by patents.

3474-v1 en 2203