

Texturing Discs

Types, sizes, surfaces

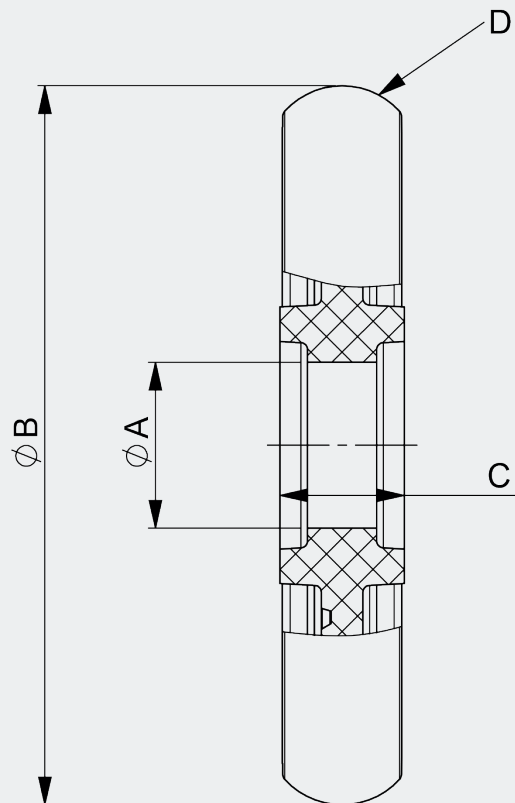


The benchmark

Texturing Discs PU and CoolFlow

Figure and Overview

Product figure PU and CoolFlow discs



Texturing Discs PU and CoolFlow

Figure and Overview

Product overview PU and CoolFlow discs

Product	¹ Profile application D	Material hardness ²	Width C [mm]	Outer diameter Ø B [mm]	Bore diameter Ø A [mm]	Type
8.01.582 E	C	E	6	45,00	12,00	
8.01.582 F	C	F	6	45,00	12,00	
8.01.636 E	C	E	6	46,50	12,00	
8.01.636 F	C	F	6	46,50	12,00	
8.01.583 E	C	E	6	49,70	12,00	
8.01.583 F	C	F	6	49,70	12,00	
8.01.634 E	C	E	6	51,20	12,00	
8.01.634 F	C	F	6	51,20	12,00	
8.01.678 F	D	F	7,5	52,50	12,00	
8.01.691 F	C	F	7,7	52,50	12,00	
8.01.652 F	D	F	7,5	52,35	14,45	
8.01.639 E	C	E	9	48,50	12,00	
8.01.639 F	C	F	9	48,50	12,00	
8.01.633 E	C	E	9	52,00	12,00	Standard
8.01.633 F	C	F	9	52,00	12,00	Standard
8.01.616 F	C	F	9	52,00	12,00	CoolFlow Disc
8.01.620 F	C	F	9	52,50	12,00	CoolFlow Disc
8.01.640 E	C	E	9	52,50	12,00	Standard
8.01.640 F	C	F	9	52,50	12,00	Standard
8.01.940 E	D	E	9	52,50	12,00	
8.01.940 F	D	F	9	52,50	12,00	
8.01.645 F	C	F	9	53,50	12,00	Standard
8.01.682 F	C	F	9	54,10	12,00	
8.01.982 F	D	F	9	54,10	12,00	
8.01.683 F	C	F	9	54,50	12,00	Standard
8.01.983 E	D	E	9	54,50	12,00	Standard
8.01.983 F	D	F	9	54,50	12,00	Standard
8.01.622 E	C	E	9	52,00	14,45	Standard
8.01.622 F	C	F	9	52,00	14,45	Standard
8.01.696 E	C	E	9	52,50	14,45	Standard
8.01.696 F	C	F	9	52,50	14,45	Standard
8.01.996 F	D	F	9	52,50	14,45	Standard
8.01.686 E	C	E	9	58,00	14,45	Standard
8.01.686 F	C	F	9	58,00	14,45	Standard
8.01.986 E	D	E	9	58,00	14,45	Standard
8.01.986 F	D	F	9	58,00	14,45	Standard

¹Type of profile:

C = high bulk D = high speed

²Type of material:

F = 86 Shore A E = 90 Shore A



Rieter Components Germany GmbH

Temco
Fuldaer Str. 19
97762 Hammelburg
T +49 9732 87 0
info@temco.de

www.temco.de

The data and illustrations in this brochure and on the corresponding data carrier refer to the date of printing. Temco reserves the right to make any necessary changes at any time and without special notice. Temco systems and Temco innovations are protected by patents.

3508-v1 en 2205