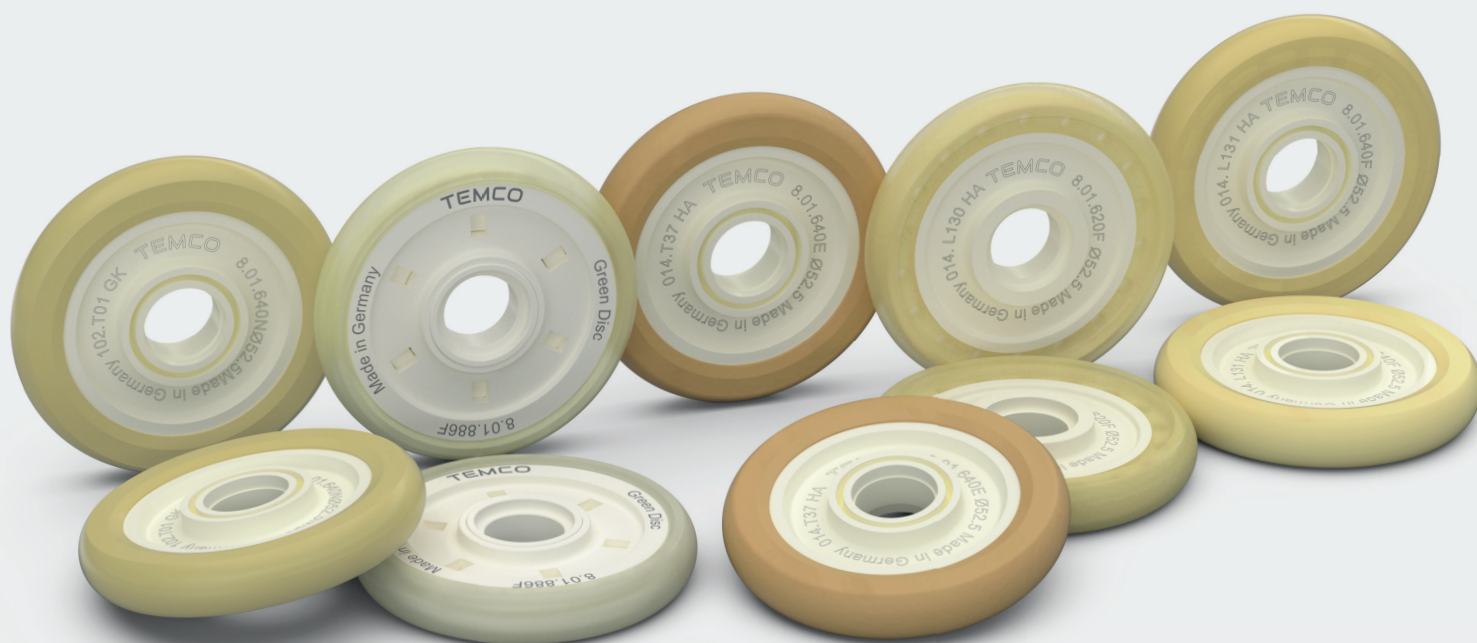


PU discs for texturing processes  
Product range

**TEMCO**

# Texturing Discs

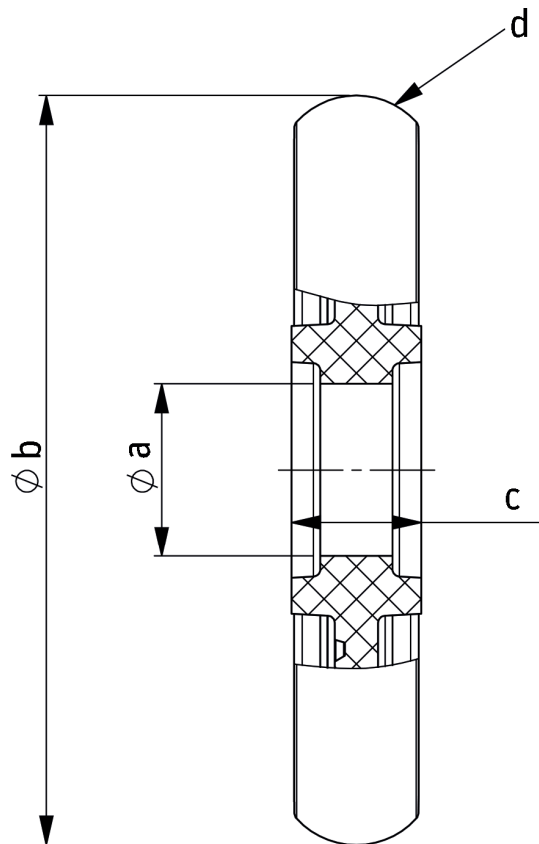
Types, sizes, surfaces



The benchmark

# Texturing Discs

## Product figure



## Product overview

Product	Bore diameter $\varnothing a$ [mm]	Outer diameter $\varnothing b$ [mm]	Width $c$ [mm]	Profile application <sup>1</sup> d	Material hardness <sup>2</sup>	Type
8.01.582E	12	45	6	C	E	Standard Disc
8.01.582F	12	45	6	C	F	Standard Disc
8.01.636E	12	46,5	6	C	E	Standard Disc
8.01.636F	12	46,5	6	C	F	Standard Disc
8.01.583E	12	49,7	6	C	E	Standard Disc
8.01.583F	12	49,7	6	C	F	Standard Disc
8.01.583N	12	49,7	6	C	N	NanoDisc
8.01.634E	12	51,2	6	C	E	Standard Disc

## Product overview

Product	Bore diameter Ø a [mm]	Outer diameter Ø b [mm]	Width c [mm]	Profile application <sup>1</sup> d	Material hardness <sup>2</sup>	Type
8.01.634F	12,00	51,20	6	C	F	Standard Disc
8.01.652F	14,45	52,35	7,5	D	F	Standard Disc
8.01.678F	12,00	52,50	7,5	D	F	Standard Disc
8.01.691F	12,00	52,50	7,7	C	F	Standard Disc
8.01.639E	12,00	48,50	9	C	E	Standard Disc
8.01.639F	12,00	48,50	9	C	F	Standard Disc
8.01.939E	12,00	48,50	9	D	E	Standard Disc
8.01.616E	12,00	52,00	9	C	F	CoolFlow Disc
8.01.616F	12,00	52,00	9	C	E	CoolFlow Disc
8.01.633E	12,00	52,00	9	C	E	Standard Disc
8.01.633F	12,00	52,00	9	C	F	Standard Disc
8.01.633N	12,00	52,00	9	C	N	NanoDisc
8.01.886F	12,00	52,00	9	C	F	GreenDisc
8.01.620F	12,00	52,50	9	C	F	CoolFlow Disc
8.01.640E	12,00	52,50	9	C	E	Standard Disc
8.01.640F	12,00	52,50	9	C	F	Standard Disc
8.01.896F <sup>3</sup>	12,00	52,50	9	C	F	GreenDisc
8.01.940E	12,00	52,50	9	D	E	Standard Disc
8.01.940F	12,00	52,50	9	D	F	Standard Disc
8.01.645F	12,00	53,50	9	C	F	Standard Disc
8.01.682F	12,00	54,10	9	C	F	Standard Disc
8.01.982F	12,00	54,10	9	D	F	Standard Disc
8.01.683F	12,00	54,50	9	C	F	Standard Disc
8.01.983E	12,00	54,50	9	D	E	Standard Disc
8.01.983F	12,00	54,50	9	D	F	Standard Disc
8.01.622E	14,45	52,00	9	C	E	Standard Disc
8.01.622F	14,45	52,00	9	C	F	Standard Disc
8.01.622N	14,45	52,00	9	C	N	NanoDisc
8.01.696E	14,45	52,50	9	C	E	Standard Disc
8.01.696F	14,45	52,50	9	C	F	Standard Disc
8.01.996F	14,45	52,50	9	D	F	Standard Disc
8.01.686E	14,45	58,00	9	C	E	Standard Disc
8.01.686F	14,45	58,00	9	C	F	Standard Disc
8.01.986E	14,45	58,00	9	D	E	Standard Disc
8.01.986F	14,45	58,00	9	D	F	Standard Disc
8.01.986N	14,45	58,00	9	D	N	NanoDisc

**<sup>1</sup>Profile application:**

C = high bulk D = high speed

**<sup>2</sup>Material hardness:**

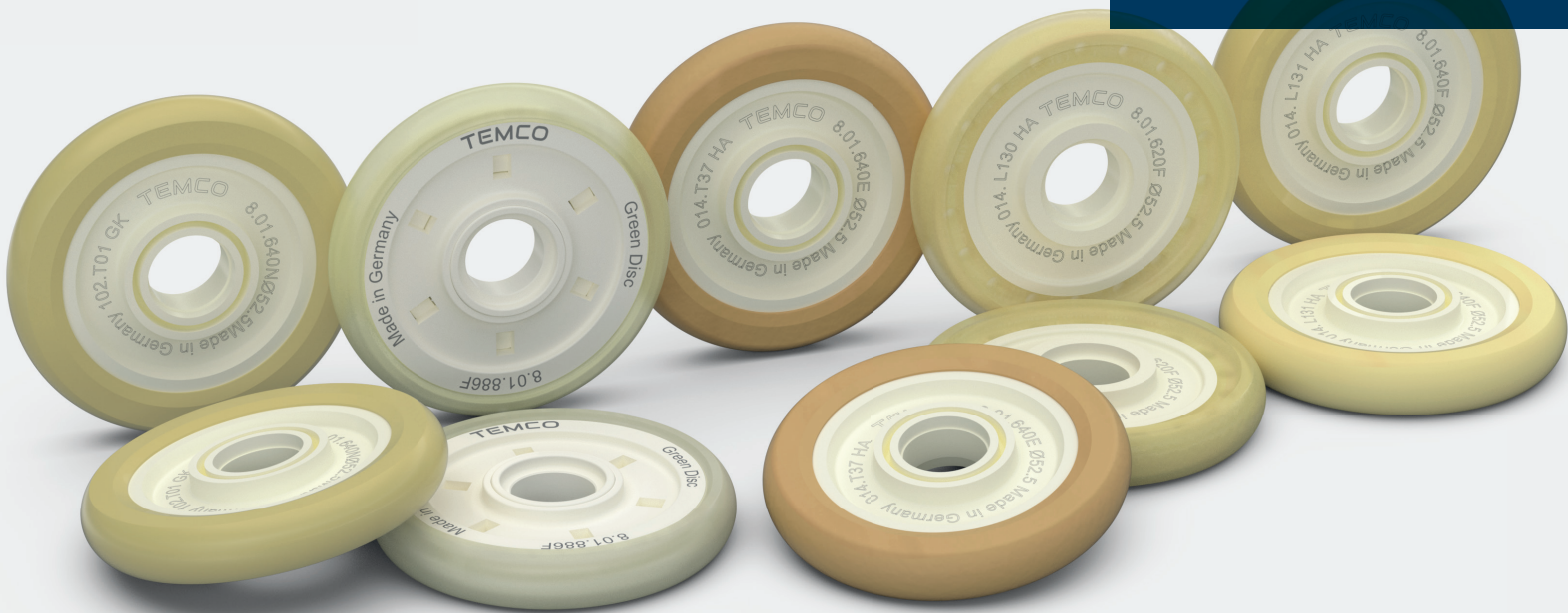
F = 86 Shore A E = 90 Shore A N = 86 Shore A

<sup>3</sup>Acceptance only with minimum quantity

**Rieter Components Germany GmbH**

Temco  
Fuldaer Str. 19  
97762 Hammelburg  
T +49 9732 87 0  
info@temco.de

[www.temco.de](http://www.temco.de)



The data and illustrations in this brochure and on the corresponding data carrier refer to the date of printing. Temco reserves the right to make any necessary changes at any time and without special notice. Temco systems and Temco innovations are protected by patents.

3508-v1 en 2205