

Bearing assemblies LAG  
Product range

**TEMCO**

# Bearing Assemblies LAG

Types, sizes, surfaces

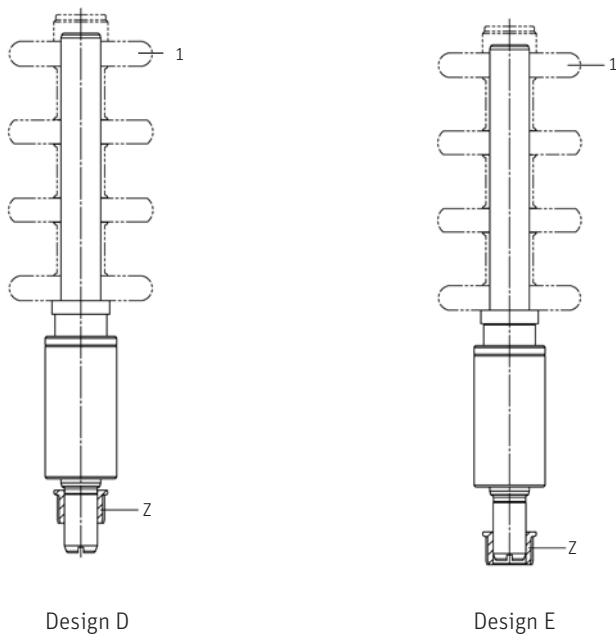
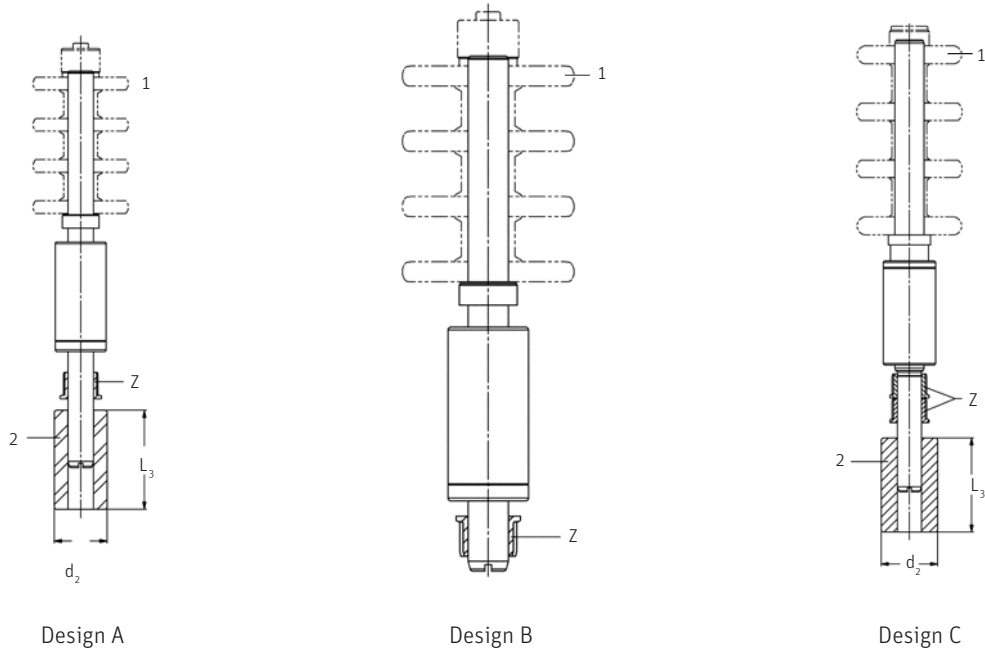


Bearing assemblies  
for best results

# Bearing Assemblies LAG

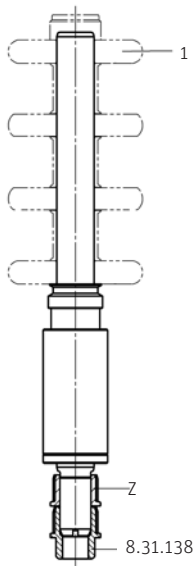
## Figures and overview

### Bearing assembly designs – tangential belt drive

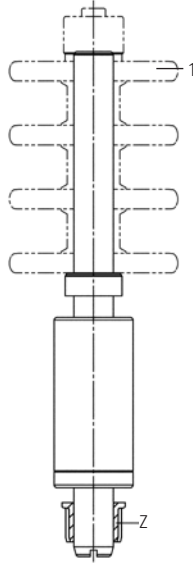


1 = Friction/yarn guide discs    2 = Driving whorl – specification on request

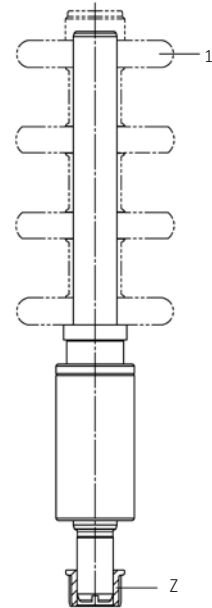
## Bearing assembly designs – motor drive



Design A



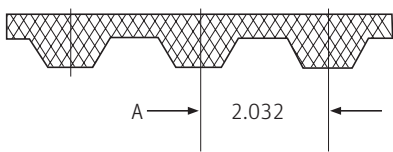
Design B



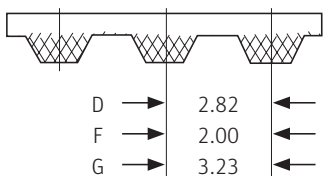
Design C

## Timing belts – profiles and spacing belt drive

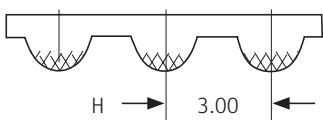
### Mini Pitch



### Super Torque



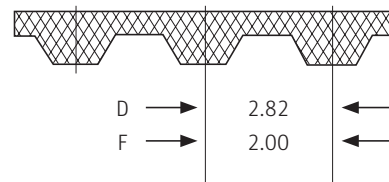
### HTD



## Timing belt – profile and spacing motor drive\*

\* [mm]

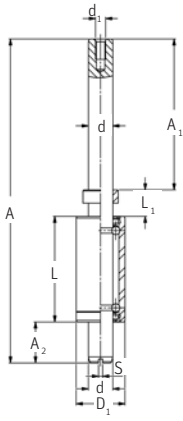
### Super Torque



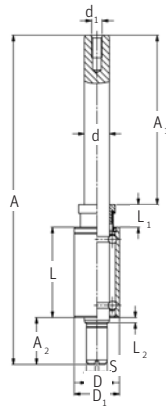
# Bearing Assemblies LAG

## Figures and overview

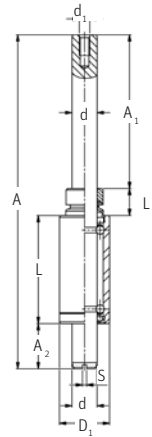
### Journal bearing designs – tangential belt drive



Design 1 (ZL)



Design 2 (ZL)



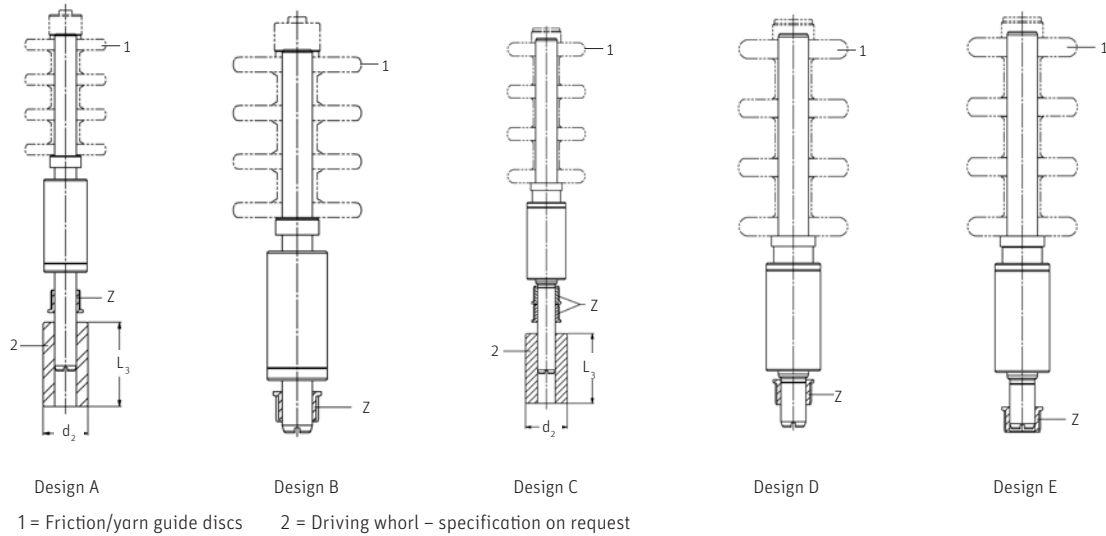
Design 3 (ZL)

1 = Friction/yarn guide discs    2 = Driving whorl – specification on request

## Overview ZL

Type	Design	Dimensions [mm]										
		d	d <sub>1</sub>	D	D <sub>1</sub>	A	A <sub>1</sub>	A <sub>2</sub>	L	L <sub>1</sub>	L <sub>2</sub>	S
<b>ZL2452</b>	1	12.00	M6		24.00	154.00	68.00	21.00	52.0	13.0		2
<b>ZL2452-01</b>	1	12.00	M6		24.00	188.00	68.00	55.00		13.0		2
<b>ZL2452</b>	1	12.00	M6		24.00	154.00	68.00	21.00	52.0	13.0		2
<b>ZL2452-01</b>	1	12.00	M6		24.00	188.00	68.00	55.00	52.0	13.0		2
<b>ZL2452-38</b>	1	12.00	M6		24.00	173.00	87.00	21.00	52.0	13.0		2
<b>ZL2452-37</b>	1	12.00	M6		24.00	207.00	87.00	55.00	52.0	13.0		2
<b>ZL2652-17</b>	2	14.45	M6	12	26.00	189.50	97.50	24.00	52.0	13.0	3.0	2
<b>ZL2652-18</b>	2	14.45	M6	12	26.00	226.00	97.50	60.50	52.0	59.0	3.0	2
<b>ZL2849</b>	1	12.00	M5		27.98	168.50	90.50	16.00	49.3	12.7		2
<b>ZL2849-01</b>	1	12.00	M5		27.98	204.00	90.50	51.50	49.3	12.7		2
<b>ZL2552-18</b>	3	12.00	M6		25.00	182.70	97.50	15.70	52.0			2
<b>ZL2552-19</b>	3	12.00	M6		25.00	195.00	97.50	28.00	52.0	17.5		2
<b>ZL2552-21</b>	3	12.00	M6		25.00	232.00	97.50	65.00	52.0	17.5		2

## Bearing assembly designs – tangential belt drive



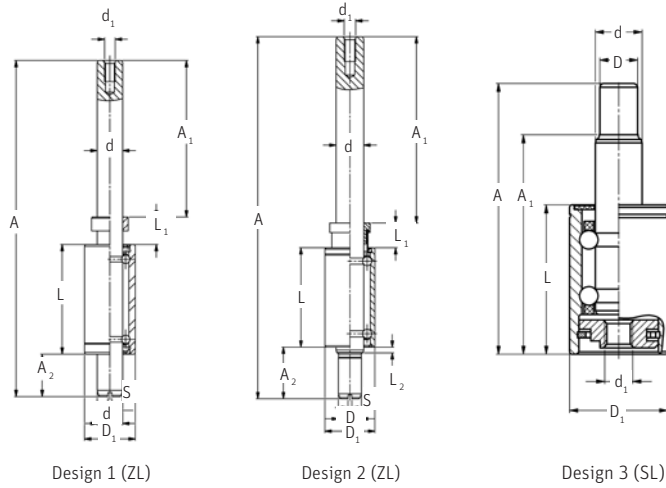
## Overview LAG

Bearing Assemblies		Timing gear		Driving whorl			Timing belt			Application fields
Key No.	Design	Key No.	Tooth Z	Key No.	d <sub>2</sub> [mm]	L <sub>3</sub> [mm]	Key No.	Profile/Pitch	Width [mm]	Friction units
<b>For Temco friction units</b>										
LAG12.127	B	8.31.65	26							FTS4712, FTS4715
LAG12.128	A	8.31.65	26	8.14.271	25	47	8.80.076/1	A	9.53	FTS 4712
LAG12.270	A	8.31.65	26	8.14.289	28	47.0	8.80.083/1	A	9.53	FTS4715
LAG12.332	B	8.31.94	20				8.801.055		8.00	FTS4461 (6mm FS)
LAG12.333	A	8.31.94	20	8.14.329	38	52.0	8.801.055	D	8.00	FTS4461 (6mm FS)
LAG12.481	B	8.31.94	20				8.801.055	D	8.00	FTS4461 (9mm FS)
LAG12.482	A	8.31.94	20	8.14.329	38	52.0	8.801.055	D	8.00	FTS4461 (9mm FS)
LAG12.400	D	8.31.105	28				8.805.065	F	8.00	FTS52RF, FTS52RK
LAG12.401	E	8.31.105	28				8.805.065	F	8.00	FTS52RF, FTS52RK
LAG12.399	C	8.31.105	28	8.14.289	28	47.0	8.805.065	F	8.00	FTS52RF
<b>Friction units from other manufacturers</b>										
LAG12.472	B	8.31.92	20				8.803.057	H	6.00	BARMAG Typ 8
LAG12.473	A	8.31.93	20	8.14.293	28	44.8	8.803.057	H	6.00	BARMAG Typ 8
LAG12.524	D	8.31.105	28		28	44.8	8.805.065	F	8.00	FTS53R BARMAG
LAG12.525	E	8.31.105	28		28		8.805.065	F	8.00	FTS53R BARMAG
LAG12.528	C	8.31.105	28	8.14.330	28	47.0	8.805.065	F	8.00	FTS53R BARMAG

# Bearing Assemblies LAG

## Figures and overview

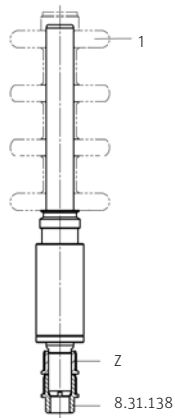
### Journal bearing designs – motor drive



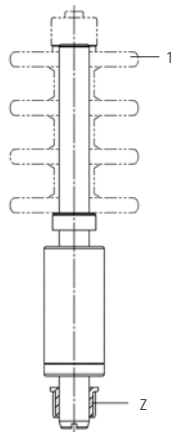
### Overview ZL

Type	Design	Dimensions [mm]										
		d	d <sub>1</sub>	D	D <sub>1</sub>	A	A <sub>1</sub>	A <sub>2</sub>	L	L <sub>1</sub>	L <sub>2</sub>	S
<b>ZL2552-08</b>	2	14.45	M6	12	25.00	195.0	97.5	25.0	52.0	17.5	3	2
<b>ZL2849</b>	1	12	M5		27.98	168.5	90.5	16.0	49.3	12.7		2
<b>ZL2849-09</b>	1	12	M5	12	27.98	188.5	90.5	36.0	49.3	12.7		2
<b>ZL2552-18</b>	2	12	M6	12	25.00	182.7	97.5	15.7	52.0	17.5		2
<b>ZL2552-19</b>	2	12	M6	12	25.00	195.0	97.5	28.0	52.0	17.5		2
<b>ZL2552-20</b>	2	12	M6	12	25.00	222.5	97.5	55.5	52.0	17.5		2

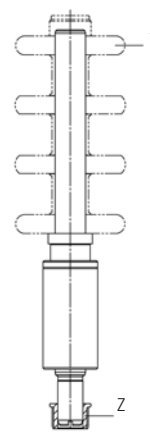
## Bearing assembly designs – motor drive



Design A



Design B



Design C

1 = Friction/yarn guide discs    2 = Driving whorl – specification on request

## Overview LAG

Bearing Assemblies		Timing gear		Timing belt			Application fields
Key No.	Design	Key No.	Tooth number (Z)	Key No.	Profile/Pitch	Width [mm]	Friction units
<b>For Temco friction units</b>							
LAG12.474	B	8.31.105	28	8.805.065	F	8	FTS522M, FTS523M FTS524M, FTS525M
LAG12.475	C	8.31.105	28	8.805.065	F	8	FTS522M, FTS523M FTS524M, FTS525M
LAG12.476	A	8.31.105	28	8.805.065	F	8	FTS522M, FTS523M
<b>Friction units from other manufacturers</b>							
LAG12.472	B	8.31.92	20	8.803.057	H	6	BARMAG Typ 8
LAG12.492	A	8.31.93	20	8.803.057	H	6	BARMAG Typ 8
LAG12.524	B	8.31.105	28	8.805.065	F	8	FTS53M BARMAG
LAG12.525	C	8.31.105	28	8.805.065	F	8	FTS53M BARMAG
LAG12.526	A	8.31.105	28	8.805.065	F	8	FTS53M BARMAG
LAG12.543	A	8.31.105	28	8.805.065	F	8	FTS53M BARMAG



**Rieter Components Germany GmbH**

Temco  
Fuldaer Str. 19  
97762 Hammelburg  
T +49 9732 87 0  
info@temco.de

[www.temco.de](http://www.temco.de)

The data and illustrations in this brochure and on the corresponding data carrier refer to the date of printing. Temco reserves the right to make any necessary changes at any time and without special notice. Temco systems and Temco innovations are protected by patents.

3492-v1 en 2207